

UP0303S-() () SERIES

30 Watt Open Frame Switchers

- ◆ Small Size
- ◆ Universal Input 90 to 264 VAC
- ◆ Conductive EMI Meets FCC/CISPR 22 Class B
- ◆ MTBF 320Khrs



Bauart
geprüft



SPECIFICATIONS

All specifications are typical at nominal line, full load and 25°C unless otherwise noted.

INPUT SPECIFICATIONS

Input Voltage Range 90-264VAC
Input Frequency 47-63 Hz
Inrush Current 30A max.(Cold Start)

GENERAL SPECIFICATIONS

Hold-up Time 16mS typ.
Efficiency 70% typ.
Leakage Current 3mA max.
Short Circuit Protection Continuous
Overvoltage Protection 5VDC output only
Continuous Output Power 25W max.
Hi-pot Isolation: Input / Output 4242VDC

ENVIRONMENTAL SPECIFICATIONS

Operating Temperature Range 0°C to 70°C
Derating 50°C to 70°C..... 2%/°C
Temperature Coefficient ± 0.02%/°C
Storage Temperature Range -40°C to +85°C
Humidity, Non-Condensing 0 to 95% RH
Cooling Free- Air Convection
EMI Filter(on Board):
Conducted Meets FCC/CISPR 22 Class B
Specification

OUTPUT SPECIFICATIONS

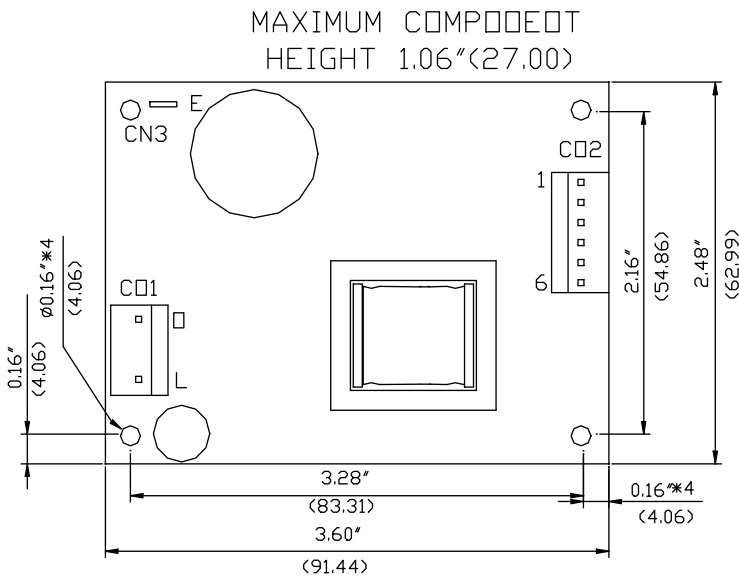
Model Number	Output ¹ Voltage (Volts)	Output Current (Amps)			Ripple ² P-P (mV)	Total Regulation ³
		Min.	Rated	Max.		
UP0303S-01	+5(V1)	0.0	2	3	50	± 3.0%
	+12(V2)	0.0	1	1.5	120	± 5.0%
	-12(V3)	0.0	0.2	0.3	120	± 5.0%
UP0303S-02	+5(V1)	0.0	2	3	50	± 3.0%
	+12(V2)	0.0	1	1.5	120	± 5.0%
	-5(V3)	0.0	0.2	0.3	50	± 5.0%
UP0303S-03	+5(V1)	0.0	2	3	50	± 3.0%
	+24(V2)	0.0	0.5	1	240	± 5.0%
	-12(V3)	0.0	0.2	0.3	120	± 5.0%

NOTES:

- The 5V output voltage is set to ± 1%, with all the outputs at rated load.
- Add a 0.1uF ceramic capacitor and a 10uF E.L. capacitor to the output cable. Peak to peak and RMS metering equipment shall have a 20MHz response with probes and cables maintaining frequency response from 200 Hz to 100MHz bandwidth. Output ripple and spikes are measured directly at the output terminals of the power supply without the use of the probe ground clip.
- Total regulation is defined as the static output regulation at 25°C, including initial tolerance, line voltage within stated limits. And load currents within stated limits, but when V1 is maximum load and V2 is ≤ 1/10 maximum load, the total regulation will be ± 10%. V1 must have a minimum of 10% maximum load, for V3 to supply maximum load.

PHYSICAL SPECIFICATIONS

Weight: 180g



NOTE:

- All dimensions in inches(mm).
- Tolerance .xx = ± 0.05
.xxx = ± 0.020

CN1 input connector Molex 09-65-2058 with second and fourth pin removed			
Pin	Input voltage		
L&N	90-264 VAC		
Molex mating connector Molex 5195 series housing with 5194 series crimp terminals			
CN2 output connector Molex pin 09-65-2068			
Model			
Pin	UP0303S-01	UP0303S-02	UP0303S-03
1	+12V	+12V	+24V
2	+5V	+5V	+5V
3			
4	Common	Common	Common
5	-12V	-5V	-12V
6			
Molex mating connector Molex 5195 series housing with 5194 series crimp terminals			
CN3 input ground tab, tab size 4.8*0.5(mm)			
With receptacle for 4.8*0.5(mm) tab			