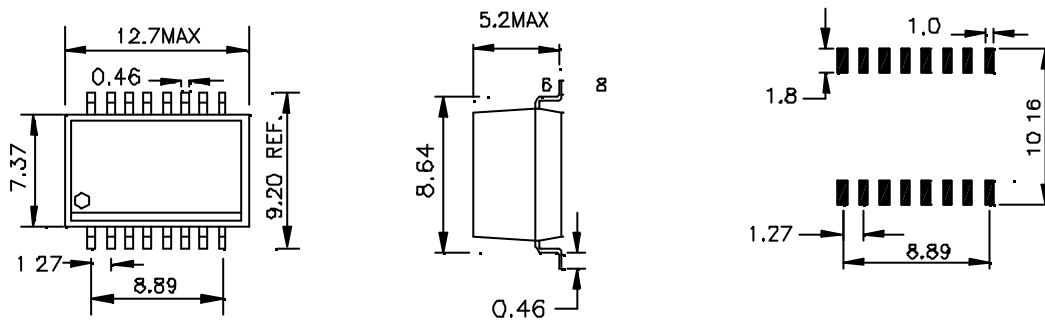


UM PART NO.:	SPECIFICATIONS	REV.	
UT26016	10 BASE-T ISOLATION TRANSFORMERS	A0	99/10

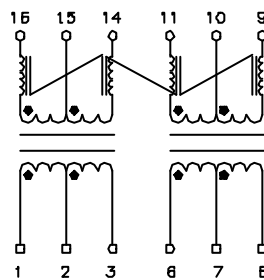
ELECTRICAL SPECIFICATIONS AT 25 °C :

1. TURNS RATIO : 1CT:2.5CT±3% AT 15.75KHz 1Vrms.PIN(6-7-8):(11-10-9)
1CT:1CT±3% AT 15.75KHz 1Vrms.PIN(1-2-3):(16-15-14)
2. PRI. INDUCTANCE: 150uH Min. AT 10KHz 100mVrms.
3. INTERWINDING CAPACITANCE: 17 pF Max. AT 100KHz 1Vrms.PIN(1-2-3):(16-15-14)
4. INTERWINDING CAPACITANCE: 20 pF Max. AT 100KHz 1Vrms.PIN(6-7-8):(11-10-9)
5. LEAKAGE INDUCTANCE: 0.30 uH Max. AT 1MHz 1Vrms.PIN(1-3):(16-15-14)Shorted
6. LEAKAGE INDUCTANCE: 0.30 uH Max. AT 1MHz 1Vrms.PIN(6-8):(11-10-9)Shorted
7. PRI. D.C.RESISTANCE : 1.0Ω Max.
8. SEC. D.C.RESISTANCE : 1.1Ω Max.
9. HI -POT: 1500Vrms/2SEC. LEAKAGE CURRENT 0.5mA Max. PRI. TO SEC.
10. PRI. PINS : 6-8, 1-3

DIMENSIONS & SCHEMATICS:



XX= ±25mm



NOTE: PACKAGING INFORMATION-TAPE AND REEL ACCORDING TO ITEM NO. "SO16" OF DATA SHEET 01-00

E10-007-B



UMEC Europe
Universal Microelectronics

UMEC elektronische Komponenten GmbH
Kreuzenstraße 80 • D-74076 Heilbronn
Tel. 07131/76170 • Fax 07131/761720

Internet: www.umec-europe.com
www.umec-web.com

e-mail: info@umec.de