

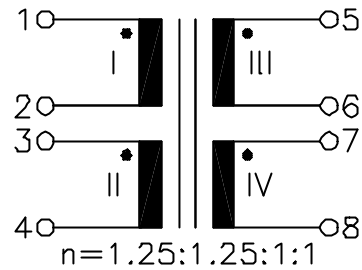


UM PART NO.:	SPECIFICATION	REV.	
UT21435A-TS	U _{PO} -Interface Transformer	A0	99/47

Characteristic data:

f=192KHz
 RI+RII ≈ 2.8Ω
 RIII+RIV ≈ 2.4Ω
 I_{dc}=75mA
 Operation temperature: -40°C ~ +85°C

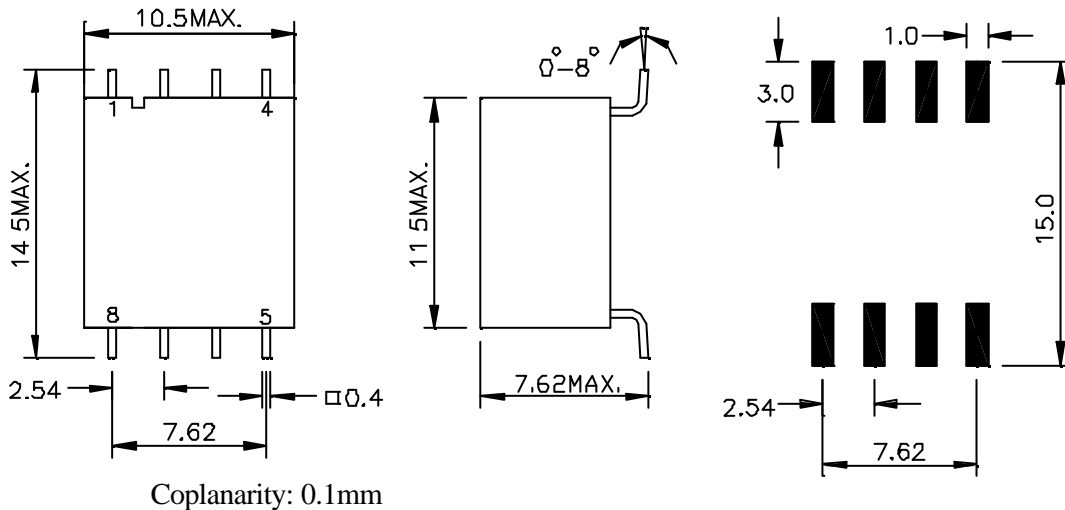
Schematic diagram:



Electrical Specification at 25⁰C:

- 1.) L_{III+IV} ≥ 1.7mH, (N_{III+IV} series), at 10KHz 100mV with I_{dc}=75mA
- 2.) Polarity and turns ratio tolerance ±2%
- 3.) C_k ≤ 140pF, (NI o NII to NIII o NIV), at 10KHz 100mV
- 4.) L_{SIII+IV} ≤ 10.0uH, (N_{III+IV} series, NI+II shorted), at 100KHz 100mV
- 5.) HI-POT test:
 U_p=1.5KV_{rms}, 2s (NI+NII to NIII+NIV)
 U_p=0.5KV_{rms}, 2s (NI to NII, NIII to NIV)

Dimension:



E10-013-B

UNIT: mm

Tolerances ±0.2mm

