



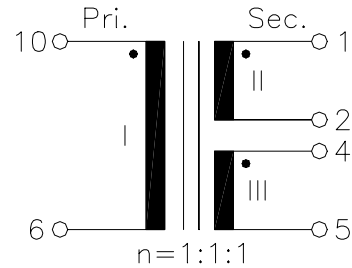
# DATA SHEET

|                  |  |      |       |
|------------------|--|------|-------|
| UM PART NO.:     | SPECIFICATION                                  | REV. |       |
| <b>UT21023LS</b> | <b>ISDN S-Interface Transformer For PCMCIA</b> | A2   | 99/17 |

### Characteristic data:

$R_I \approx 1.8\Omega$   
 $R_{II}+R_{III} \approx 4.0\Omega$   
 $T_u(\text{amb}) \leq 60^\circ\text{C}$

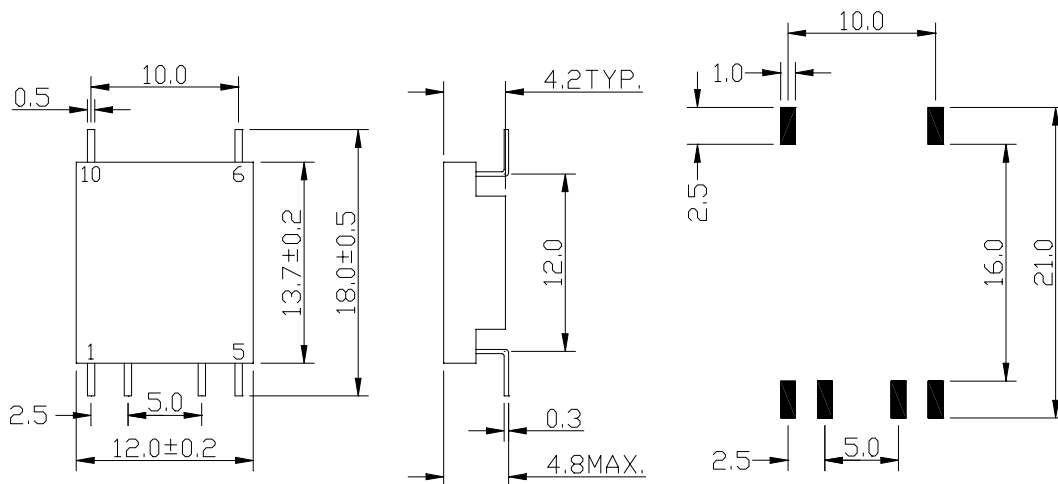
### Schematic diagram:



### Electrical Specification at 25°C:

- 1.)  $L \geq 22\text{mH}$ , at 10KHz 100mV
- 2.) Polarity and turns ratio tolerance:  $\pm 2\%$
- 3.)  $C_w/w \leq 70\text{pF}$ , (NI to NII+ NIII), at 10KHz 100mV
- 4.)  $C_d \leq 25\text{pF}$ , at 1MHz 1V
- 5.)  $L_s \leq 5.0\mu\text{H}$ , (NII+ NIII shorted), at 100KHz 100mV
- 6.) HI-pot test:  $U_p=1.5\text{KV}_{\text{rms}}$ , 2s (NI to NII+ NIII)

### Dimension:



NOTE: PACKAGING INFORMATION-TAPE AND REEL  
 ACCORDING TO ITEM NO. "PCMCIA" OF DATA SHEET 01-00

E10-013-B

UNIT: mm

Tolerances:  $\pm 0.2\text{mm}$



UMEC Europe  
 Universal Microelectronics

UMEC elektronische Komponenten GmbH  
 Kreuzenstraße 80 • D-74076 Heilbronn  
 Tel. 07131/76170 • Fax 07131/761720

Internet: [www.umec-europe.com](http://www.umec-europe.com)  
[www.umec-web.net](http://www.umec-web.net)

e-mail: [info@umec.de](mailto:info@umec.de)