



Feature

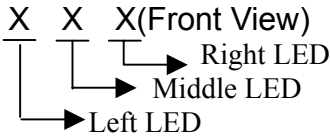


- This specification covers performance, tests and quality requirements for RJ45+USB STACK w/LED & Transformer MODULE .
- Operating temperature range: 0°C to +70°C .
- Storage temperature range: -40°C to +75°C .
- Recommended panel

Part Number	Standard LED	Forward*V(Max)	(TYP)
3	YELLOW	2.5V	2.1V
4	GREEN	2.5V	2.2V
0	Without LED		

*With a forward current 20mA

Example Part Number Format:



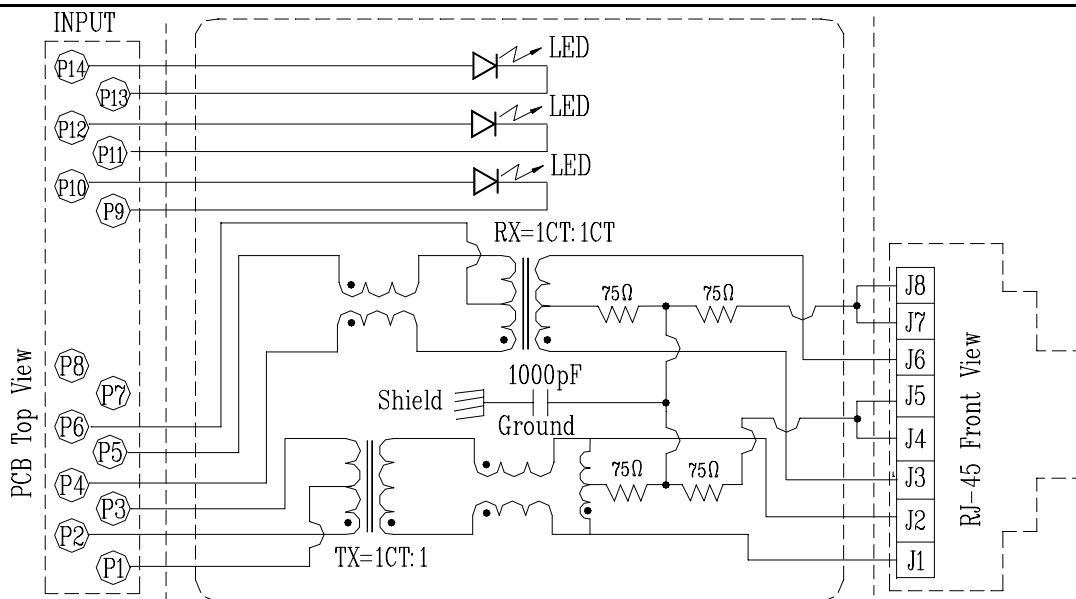
Electrical Specifications @ 25°C

Part Number	Turns Ratio (±5%)		Inductance(uH Min) @ 100 KHz/0.1V, 8mA DC Bias Input(2-3), Input(4-5)	Voltage isolation (Vrms)	Cross talk (dB Min) 1-100MHz	Common Mode Rejection(dB Min) 1-100MHz
	TX	RX				
BLU516J-XXX	1CT:1	1CT:1CT	350	1500	-35	-30

Continue

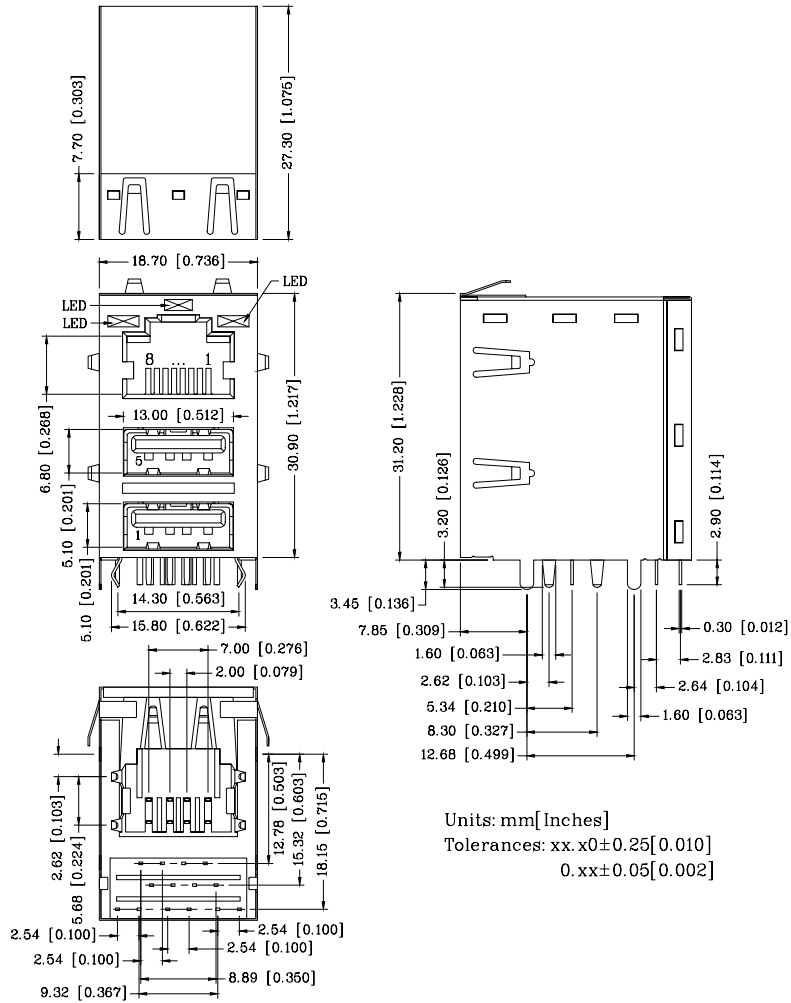
Part Number	Transmitter filter Type: Balance low pass 100Ω impedance				Receiver filter Type: Balance low pass 100Ω impedance			
	Insertion loss (dB Max)	Return Loss (dB Min)load 100Ω			Insertion loss (dB Max)	Return Loss (dB Min)load 100Ω		
		1-100MHz	1-30MHz	30-60MHz		60-80MHz	1-100MHz	1-30MHz
BLU516J-XXX	-1.0	-18	-16	-12	-1.0	-18	-16	-12

Schematic

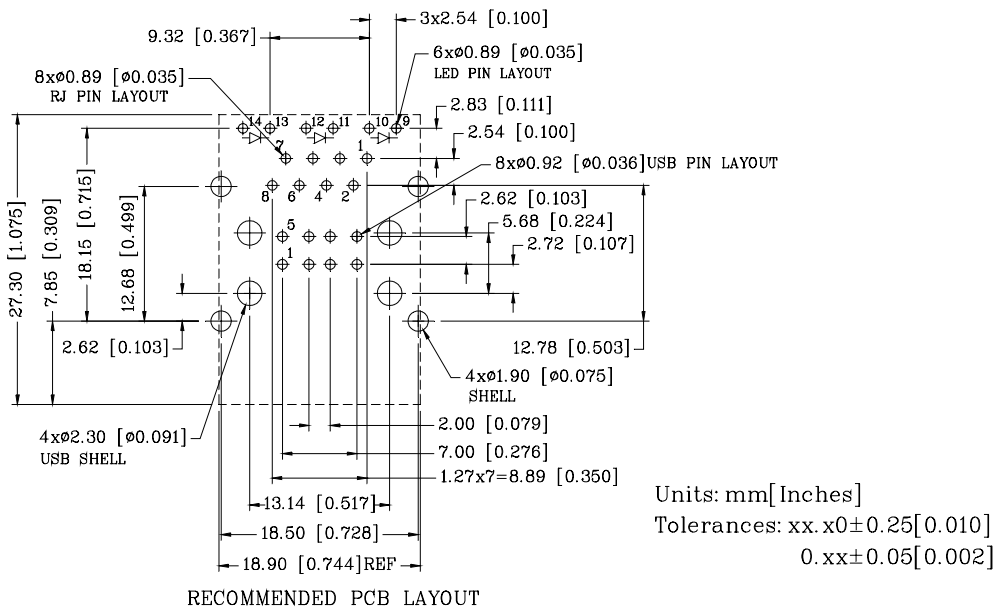




Mechanical



PCB Layout Mounting Hole(Top View)





1. APPLICABLE DOCUMENTS

The following documents form a part of this specification to the extent specified herein, Unless otherwise specified, latest edition of the specification applies, In the event of conflict between requirements of this specification and product drawing. Product drawing shall take precedence.

1.1 Commercial standards, specifications and report

- 1.1.1 MIL-STD-1344A 1.1.2 EIA-364

2. REQUIREMENTS

2.1 Design and Construction

- 2.1.1 Product shall be of design, construction and physical dimensions specified on applicable product drawing.

2.2 Materials and Finish

2.2.1 Contact

- 2.2.1.1 RJ Contact : Phosphor Bronze, Thickness=0.35mm

Finish : (a) Contact Area : 30 μ " min. Gold

(b) Solder tail Area : 100 μ " min. Tin/Lead(9:1)

(c) Under plating : 50 μ " min. Nickel over all

- 2.2.1.2 USB Contact : Phosphor Bronze, Thickness=0.3mm

Finish : (a) Contact Area : 1 μ " min. Gold

(b) Solder tail Area : 100 μ " min. Tin/Lead(9:1)

(c) Under plating : 50 μ " min. Nickel over all

- 2.2.1.3 RJ Joint Contact : Brass, Thickness=0.30mm

Finish : 100 μ " min. Tin/Lead(9:1) over 50 μ " min. Nickel

- 2.2.1.4 LED Joint Contact : Brass, Thickness=0.30mm

Finish : 100 μ " min. Tin/Lead(9:1) over 50 μ " min. Nickel

- 2.2.2 Plastic Material : PBT Glass Filled (UL 94V-0) , Black Housing

2.2.3 Shell

- 2.2.3.1 Front Shell : Stainless, SUS 304, Thickness=0.25mm

- 2.2.3.2 Back Shell : Stainless, SUS 304, Thickness=0.25mm

- 2.2.3.3 USB Shell : Brass, Thickness=0.30mm

Finish : 100 μ " min. Tin/Lead(9:1)

2.2.4 LED Lamp

- 2.2.4.1 Lens Color : Transparent with color

- 2.2.4.2 Emitted Color : Green & Yellow

- 2.2.4.3 Wave Length : Green 565nm; Yellow 585nm

2.2.5 Transformer :

- 2.2.5.1 Material :FR4 Thickness=0.8mm

- 2.2.5.2 Two Layer PCB



UMEC GmbH

RJ45+USB STACK COMBO W/ LEDS & X'FMR MODULE

P/N: BLU516J-XXX

Page : 4/4

2.3 Ratings

2.3.1 Voltage rating : 125Vac

2.3.2 Current rating : 1.5A

2.4 Performance and Test Description

Product is designed to meet electrical, mechanical and environmental performance requirements specified in below table, All tests are performed at ambient environmental conditions per MIL-STD-1344A and ELA-364 unless otherwise specified

2.5 Packaging and Packing

All parts shall be packaged and packed to protect against physical damage, corrosion and Deterioration during shipment and storage