

**“LAN-MATE” SERIES**

**SINGLE RJ45 CONNECTOR MODULE WITH INTEGRATED 10/100 BASE-TX MAGNETICS AND LEDS**

UE-LU1S041CM-43 LF Wide Temp.-Range

**Feature**



- Complies with requirement of IEEE802.3u standards.
- RJ 45 connector with 10/100 BASE-TX magnetic.
- Meet UL safety standard.
- Includes integrated 2 LEDS(option).
- LEDS are isolated to reduce cross talk and electro-magnetics interference.
- Comply with RoHS requirements-whole part No Cd, No Hg, No Cr6+, No PBB and PBDE and No Pb on external pins.
- Operating temperature range: -40°C to +85°C
- Storage temperature range: -40°C to +85°C
- Recommended panel

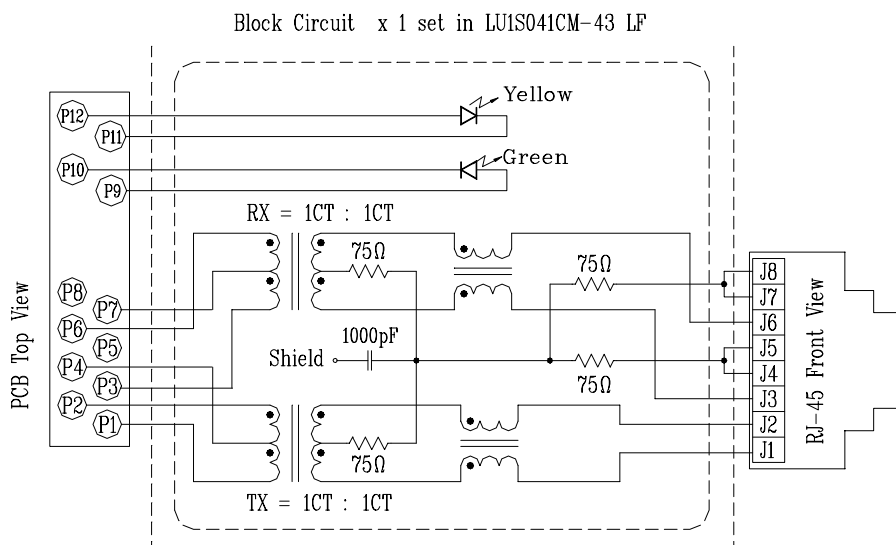
Part Number	Standard LED	Forward*V(Max)	(TYP)
4	GREEN	2.6V	2.1V
3	YELLOW	2.6V	2.2V

\*With a forward current 20mA

Electrical Specifications @ 25°C							
Part Number:UE-	Turns Ratio (±5%)		OCL (uH Min) @ 100KHz/0.1V with 8mA DC Bias	C <sub>ww</sub> (pF Max)	L.L (uH Max)	Insertion Loss (dB Max)TX/RX 0.3-100MHz	HI-POT (Vrms)
	TX	RX					
LU1S041CM-43 LF	1CT:1CT	1CT:1CT	350	28	0.4	-1.15	1500

Continue											
Part Number:UE-	Return Loss (dB Min)TX/RX					Cross talk (dB Min)TX/RX			CMR (dB Min) TX/RX		
	30MHz	40MHz	50MHz	60MHz	80MHz	0.3-30MHz	30-60MHz	60-100MHz	1-30MHz	30-60MHz	60-125MHz
LU1S041CM-43 LF	-16	-14	-13.5	-13	-10	-40	-35	-30	-30	-25	-20

**Schematic**

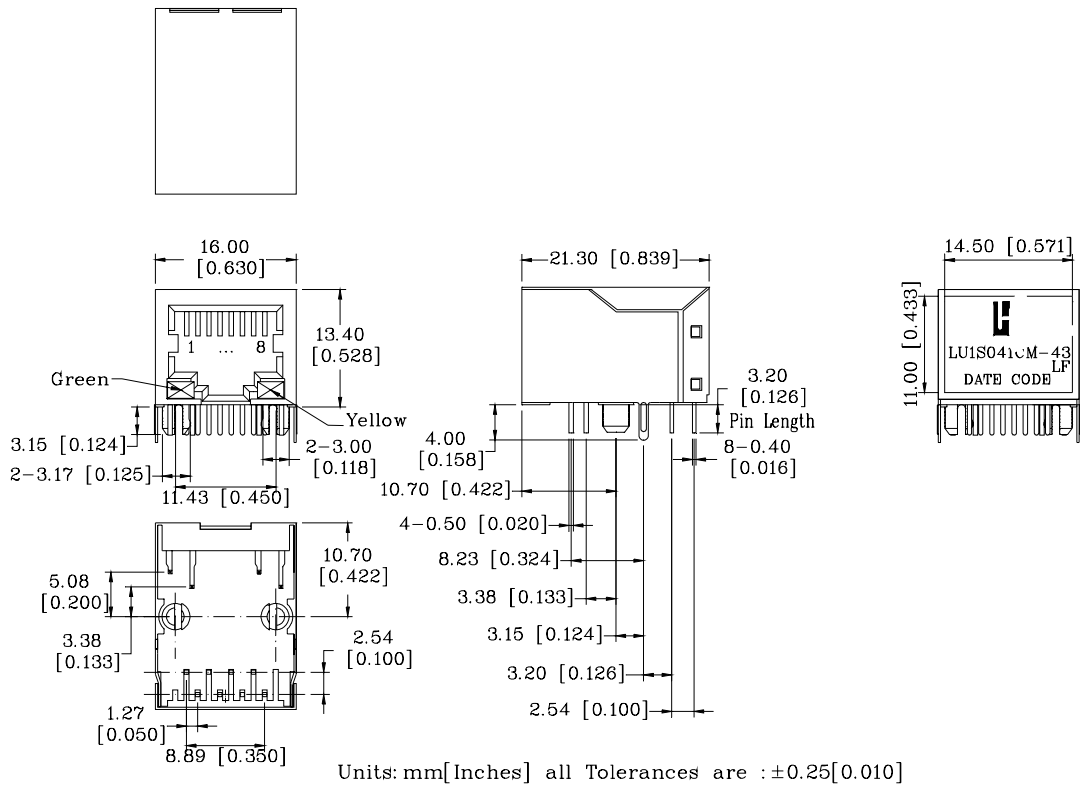


**“LAN-MATE” SERIES**

**SINGLE RJ45 CONNECTOR MODULE WITH INTEGRATED 10/100 BASE-TX MAGNETICS AND LEDS**

**UE-LU1S041CM-43 LF**

**Mechanical**



- 1. Plastic Material : Thermoplastic (UL 94V-0), Black Housing
- 2. Metal Shield : Brass, 20u" inches thick Nickel
- 3. Spring Wire : Phosphor bronze with selective gold plating
- 4. Solder Pin : 0.4x0.4mm, Phosphor bronze with solder Plated
- 5. Durability : 750 Mating cycles Min.

**PCB Layout Mounting Hole(Top View)**

