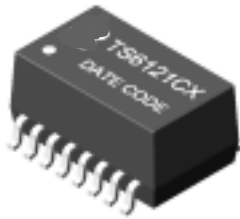




Feature



- Designed to meet IEEE 802.3u requirement, including 350uH OCL with 8mA bias and specifically for Auto MDIX
- Operating temperature range: 0°C to +70°C.
- Storage temperature range: -25°C to +125°C.

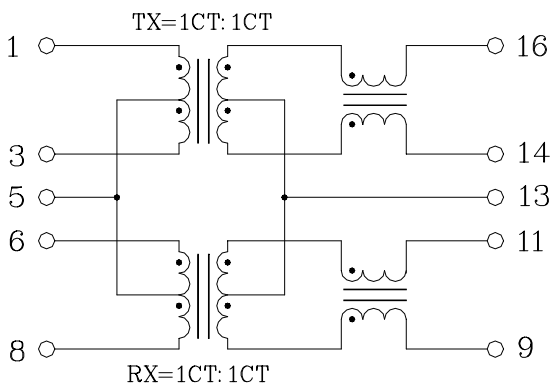
Electrical Specifications @ 25°C

Part Number	Turns Ratio (±5%)		OCL (uH Min) @ 100KHz/0.1V with 8mA Bias Pin(1-3 / 6-8)	L.L (uH Max)	C _{w/w} (pF Max)	DCR (Ω Max)		HI-POT (Vrms)
	1-3:16-14	6-8:11-9				1-3/6-8	16-14/11-9	
UE-TS6121CX	1CT:1CT	1CT:1CT	350	0.5	50	0.7	1.1	1500

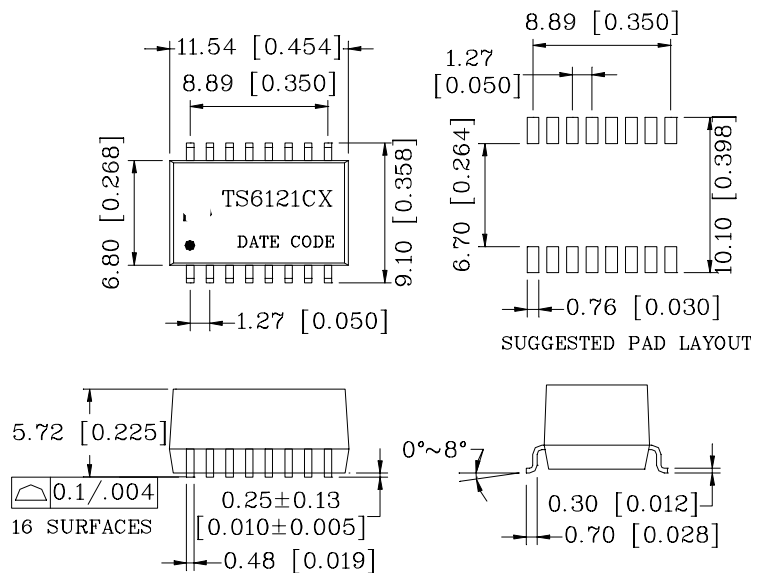
Continue

Part Number	Insertion Loss (dB Max)	Return Loss (dB Min)			Cross talk (dB Min)		DCMR (dB Min)		
	0.3-100MHz	30MHz	60MHz	80MHz	0.3-60MHz	60-100MHz	30MHz	60MHz	100MHz
UE-TS6121CX	-1.15	-18	-14	-12	-45	-35	-40	-35	-30

Schematic



Mechanical



Units: mm[Inches] Tolerance: xx.x0±0.25[0.010]
0.xx±0.05[0.002]