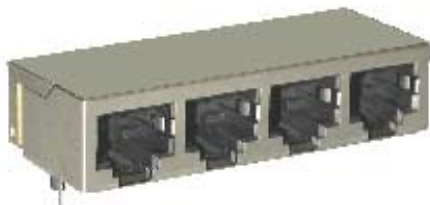


**“LAN-MATE” SERIES**

**1X4 RJ45 CONNECTOR MODULE WITH INTEGRATED 10/100 BASE-TX MAGNETICS**

P/N: UE-LU4S041X

**Feature**



- RJ-45 connector integrated with X'FMR / Impedance Resistor/High Voltage Capacitor.
- Size same as RJ-45 connector to save PCB board pace.
- Reduced EMI radiation to improve EMI performance.
- Design for 100 base transmission over UTP-5 CABLE.
- Operating temperature range: 0°C to +70°C .
- Storage temperature range: -25°C to +125°C .

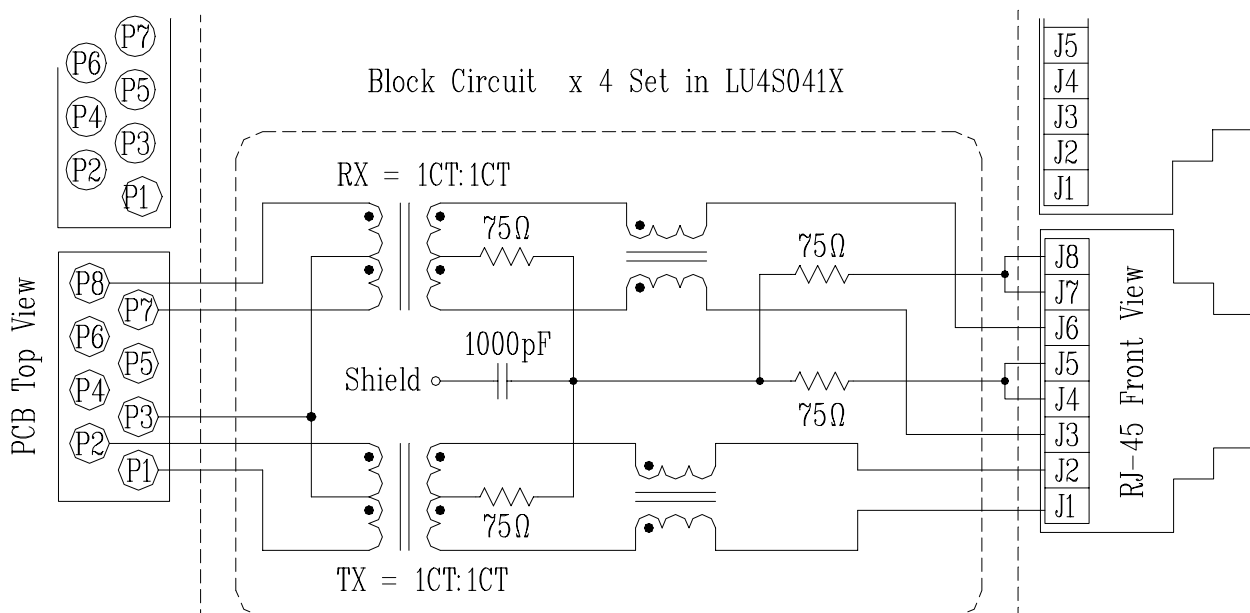
**Electrical Specifications @ 25°C**

| Part Number:UE | Turns Ratio (±5%) |         | OCL (uH Min ) @100KHz/0.1V with 8mA DC Bias | C <sub>w/w</sub> (pF Max) | L.L (uH Max) | Rise Time 10-90% (nS Typ) | Insertion Loss (dB Max) 0.3-100MHz | HI-POT (Vrms) |
|----------------|-------------------|---------|---|---------------------------|--------------|---------------------------|------------------------------------|---------------|
|                | TX                | RX      |   |                           |              |                           |                                    |               |
| LU4S041X       | 1CT:1CT           | 1CT:1CT | 350   | 56                        | 0.5          | 2.5                       | -0.8                               | 1500          |

**Continue**

| Part Number:UE | Return Loss (dB Min) TX/RX |       |       |       |       | Cross talk (dB Min) |          |           | CMR (dB Min) |          |           |
|----------------|----------------------------|-------|-------|-------|-------|---------------------|----------|-----------|--------------|----------|-----------|
|                | 30MHz                      | 40MHz | 50MHz | 60MHz | 80MHz | 0.3-30MHz           | 30-60MHz | 60-100MHz | 1-30MHz      | 30-60MHz | 60-125MHz |
| LU4S041X       | -16                        | -14   | -13.5 | -13   | -10   | -40                 | -35      | -30       | -30          | -25      | -20       |

**Schematic**

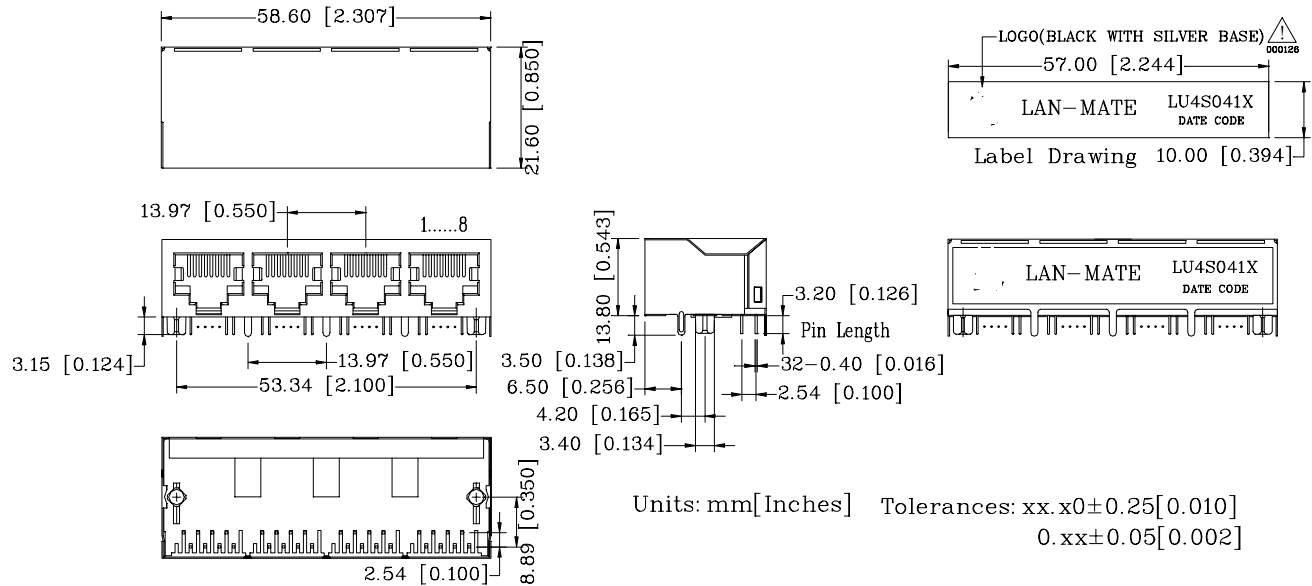


**“LAN-MATE” SERIES**

**1X4 RJ45 CONNECTOR MODULE WITH INTEGRATED 10/100 BASE-TX MAGNETICS**

P/N: UE-LU4S041X

**Mechanical**



- 1. Plastic Material : Thermoplastic (UL 94V-0), Black Housing
- 2. Metal Shield : Brass, 20u inches thick Nickel
- 3. Spring Wire : Phosphor bronze with selective gold plating
- 4. Solder Pin : 0.4x0.4mm, Phosphor bronze with solder Plated
- 5. Durability : 300 Mating cycles Min.

**PCB Layout Mounting Hole(Top View)**

