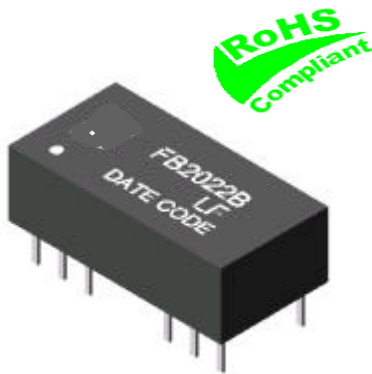




10 BASE-T LOW PASS FILTER TRANSMITTER & RECEIVER WITH COMMON CHOKES

UE-FB2022B LF APPLY TO GENERIC IC

Feature



- IEEE 802.3 and IEEE 802.5 compatible.
- Designed to meet AMD AM79C98, AT & T T7220 & NS DP83922 chip sets requirements.
- Integrated filter and isolation transformers in single 16 PIN DIP package .
- Low insertion loss characteristics.
- Cost effective designs.
- Comply with RoHS requirements-whole part No Cd, No Hg, No Cr6+, No PBB and PBDE and No Pb on external pins.
- Operating temperature range :0°C to + 70°C
- Storage temperature range: -25°C to +125°C

Electrical Specifications @ 25° C

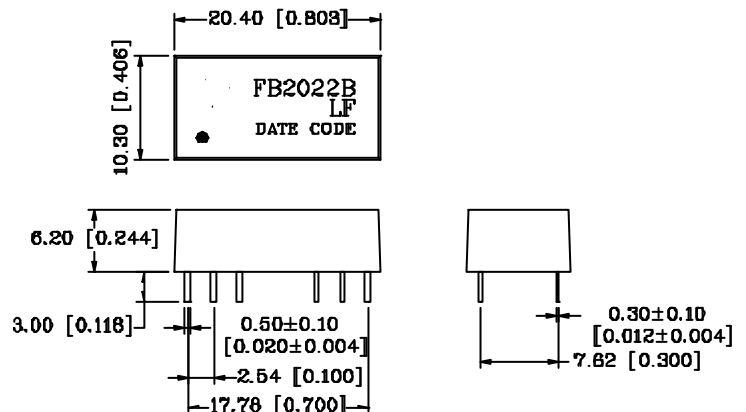
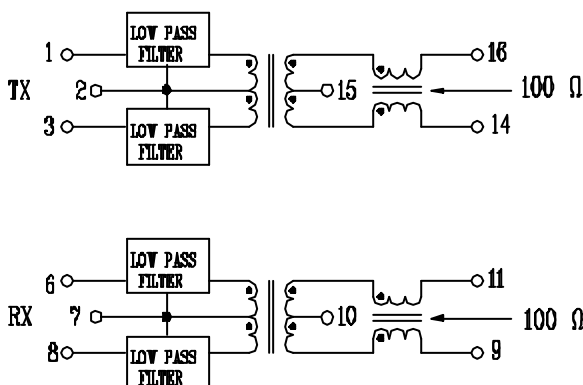
Part Number:UE-	Turns Ratio		CUT-OFF Frequency	HI-POT (Vrms)
	TX	RX		
FB2022B LF	1CT:1CT	1CT:1CT	17MHz±1.5MHz	1500

Continue

Part Number:UE-	Insertion Loss TX/RX(dB Max)	Return Loss TX/RX(dB Min)	Attenuation TX/RX(dB Min)				Cross talk Attenuation (dB Min)
	1-10MHz	1-12MHz	20MHz	25MHz	30MHz	40MHz	1-10MHz
FB2022B LF	-1.0	-14/-14	-7/-6	-19/-14	-28/-20	-32/-31	-30

Schematic

Mechanical



Units: mm [Inches] Tolerances: xx.x0±0.25 [0.010]
0.xx±0.05 [0.002]

