



# 10/100 BASE-T ETHERNET ISOLATION TRANSFORMER

## P/N:UE-TS6121CM DATA SHEET

### Feature

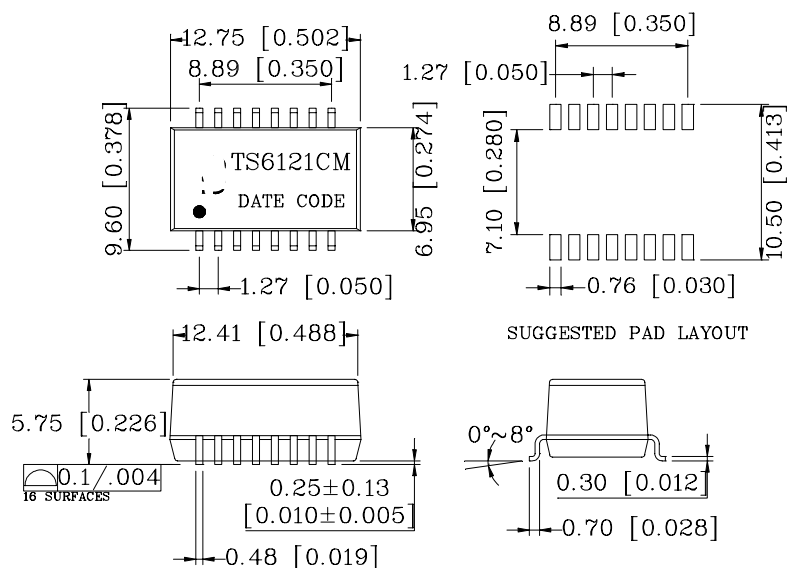
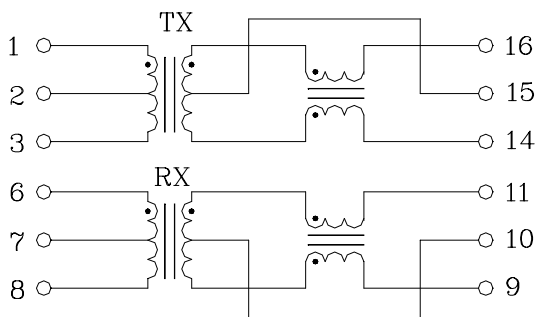
- Designed to meet IEEE 802.3u requirement
- Designed to meet IR 235 degree C Peak requirement.
- Operating temperature range: -25°C to +85°C.
- Storage temperature range: -25°C to +125°C.

Electrical Specifications @ 25°C						
Part Number	Turns Ratio (±5%)		OCL (uH Min) @ 100KHz/0.1V with 8mA Bias Pin(1-3 / 6-8)	C <sub>w/w</sub> (pF Max)	L.L (uH Max)	HI-POT (Vrms)
	1-3:16-14	6-8:11-9				
UE-TS6121CM	1CT:1CT	1CT:1CT	350	28	0.5	1500

Continue									
Part Number	Insertion Loss (dB Max)	Return Loss (dB Min)			Cross talk (dB Min)		DCMR (dB Min)		
	0.3-100 MHz	30MHz	60MHz	80MHz	0.3-60MHz	60-100MHz	30MHz	60MHz	100MHz
UE-TS6121CM	-1.15	-20	-14	-12	-45	-35	-40	-35	-30

### Schematic

### Mechanical



Units: mm [Inches] Tolerance: xx.x0±0.25 [0.010]  
0.xx±0.05 [0.002]