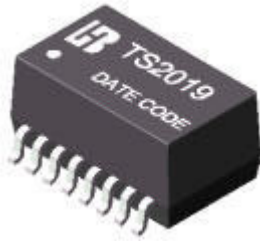


10/100 BASE-TX VOICE OVER IP MAGNETICS MODULES

P/N: TS2019 DATA SHEET



Feature



- IEEE 802.3/ANSI X3.263 compliant performance.
- 350mA current capability.
- Designed to for IP phone or switch applications.
- Compact footprint.
- Operation temperature: 0°C to +70°C.
- Storage temperature range: -25°C to +125°C

Electrical Specifications @ 25°C

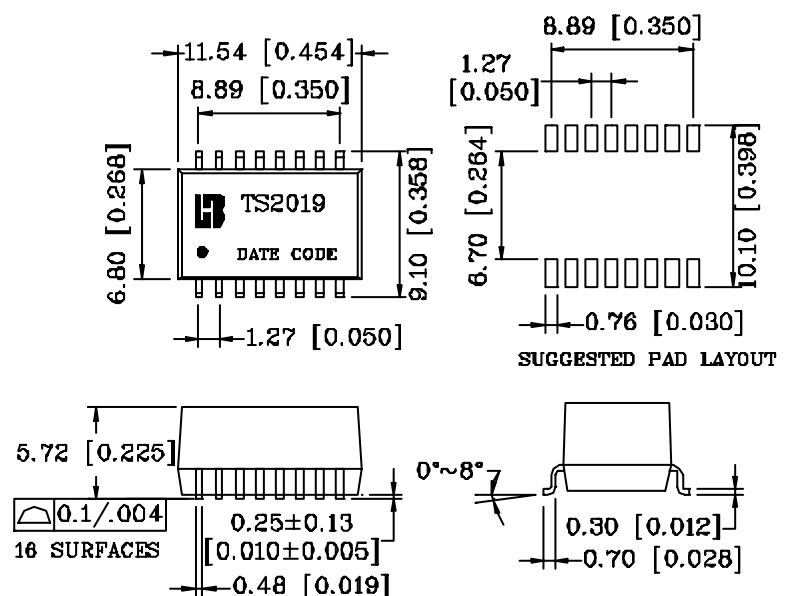
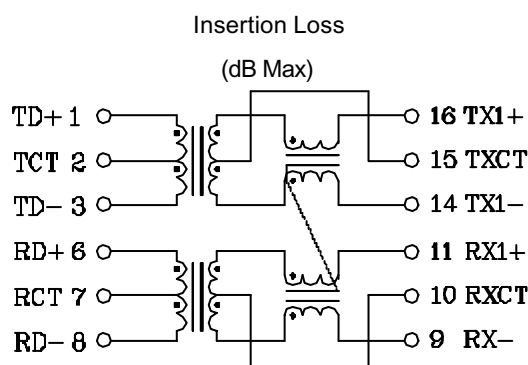
Part Number	Turns Ratio(±5%) TX/RX	OCL (uH Min) @ 100KHz/0.1V with 8mA Bias	Cross talk (dB Min)		HI-POT (Vrms)
			0.3-60MHz	60-100 MHz	
TS2019	1CT:1CT	350	-45	-35	1500

Continue

Part Number								
	0.3-100 MHz	1-30MHz	40MHz	50MHz	60-80MHz	30MHz	60MHz	100MHz
TS2019	-1.2	-16	-14	-13	-12	-40	-35	-30

Schematic

Mechanical



Units: mm [Inches] Tolerance: xx.x0±0.25 [0.010]
0.xx±0.05 [0.002]

