



“LAN-MATE” SERIES

1X4 RJ45 CONNECTOR MODULE WITH INTEGRATED 10/100 BASE-TX MAGNETICS

P/N: LU4T041A1

Page: 1/2

Feature

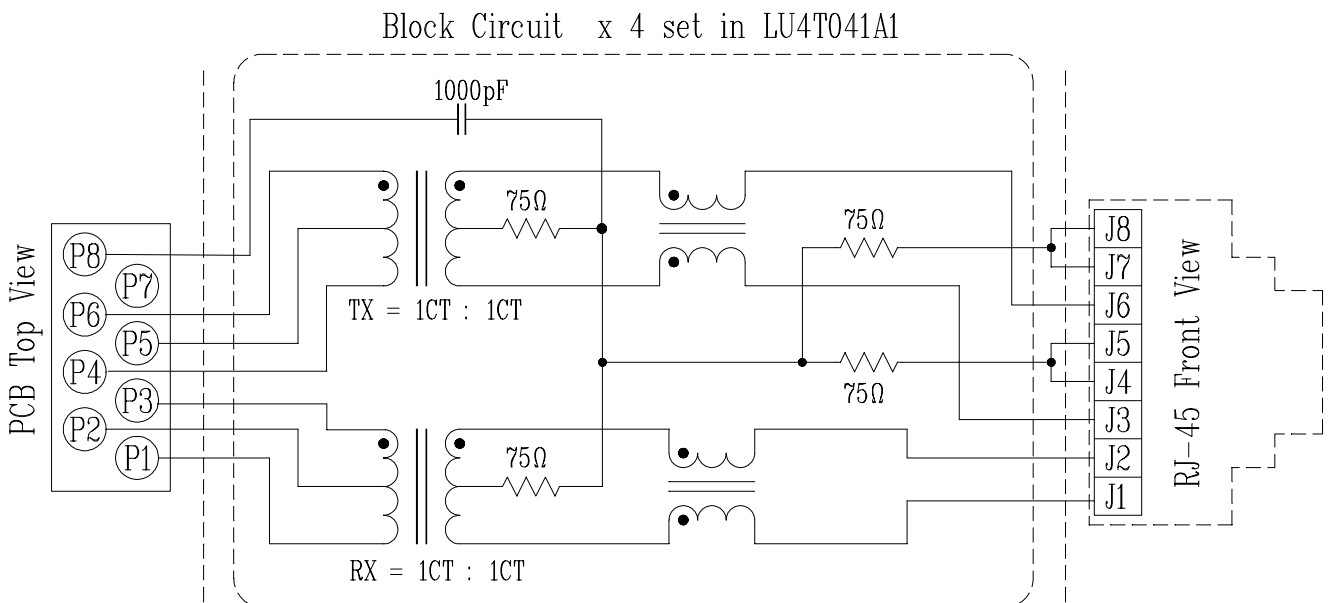


- Complies with requirement of IEEE802.3u standards.
- RJ 45 connector with 10/100 BASE-TX magnetic.
- Operating temperature range: 0°C to +70°C.
- Storage temperature range: -25°C to +125°C.

Electrical Specifications @ 25°C						
Part Number	Turns Ratio (±5%)		Inductance(uH Min) @ 100 KHz/0.1V with 8mA DC Bias	C _{w/w} (pF Max)	Leakage Inductance (uH Max)	Voltage Isolation (Vrms)
	TX	RX				
LU4T041A1	1CT:1CT	1CT:1CT	350	28	0.5	1500

Continue										
Part Number	Insertion Loss (dB Max)	Return Loss (dB Min)					Cross talk (dB Min)		CMR TX/RX(dB Min)	
		0.3-100MHz	30MHz	40MHz	50MHz	60MHz	80MHz	0.3-60MHz	60-100MHz	0.3-60MHz
LU4T041A1	-1.15	-16	-14	-13.5	-13	-10	-40	-38	-45/-40	-40/-35

Schematic



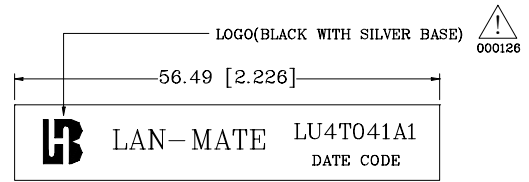
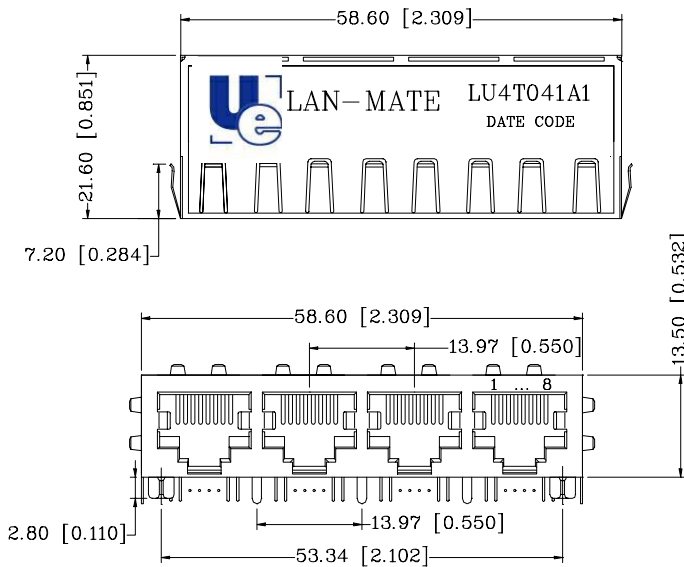


“LAN-MATE” SERIES

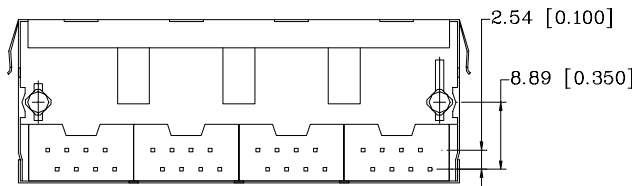
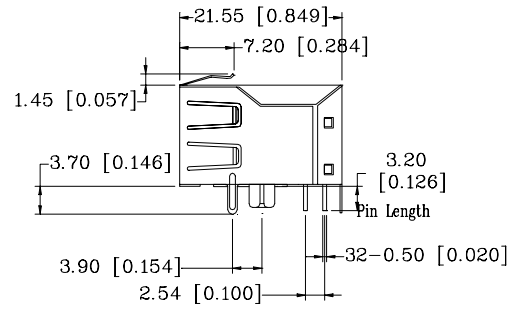
1X4 RJ45 CONNECTOR MODULE WITH INTEGRATED 10/100 BASE-TX MAGNETICS

P/N: LU4T041A1

Mechanical



Lable Drawing



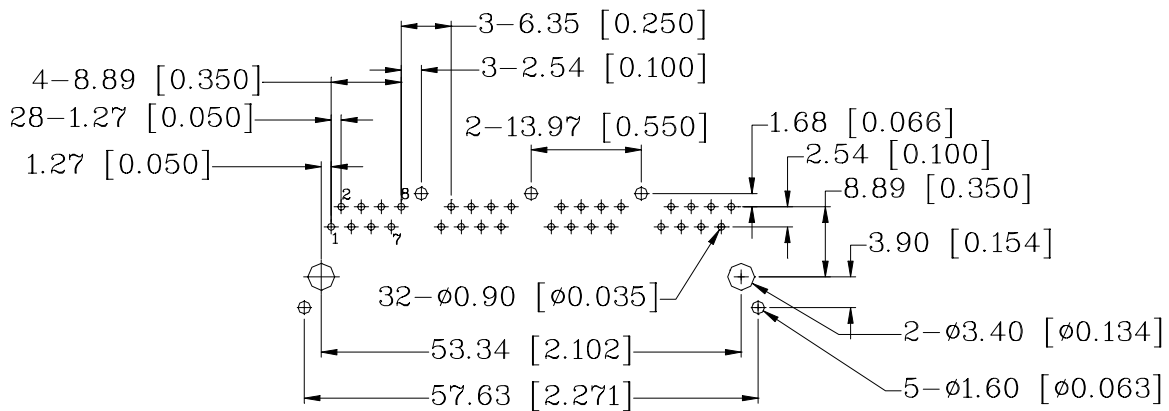
Units: mm [Inches]

Tolerances: xx.x0±0.25 [0.010]

0.xx±0.05 [0.002]

- 1. Plastic Material : PBT 15% Glass Filled(UL 94V-0), Black Housing
- 2. Metal Shield : Brass C2680-H, 20u Nickel Plated, t=0.25mm
- 3. Spring Wire : 0.45mm Dia. Phosphor bronze with 6u gold plated
- 4. Solder Pin : 0.4x0.4mm, Phosphor bronze with solder Plated
- 5. Durability : 300 Mating cycles Min.

PCB Layout Mounting Hole(Top View)



Units: mm [Inches] Tolerances: xx.x0±0.25 [0.010]

0.xx±0.05 [0.002]