

**Feature**



- RJ-45 connector integrated with transformer/impedance resistor/high voltage capacitor.
- Size same as RJ-45 connector to save PCB board space.
- Reduce EMI radiation improve EMI performance.
- Design for 10/100 BASE transmission over UTP-5 cable.
- Operating temperature range: 0°C to +70°C.
- Storage temperature range: -25°C to +125°C.

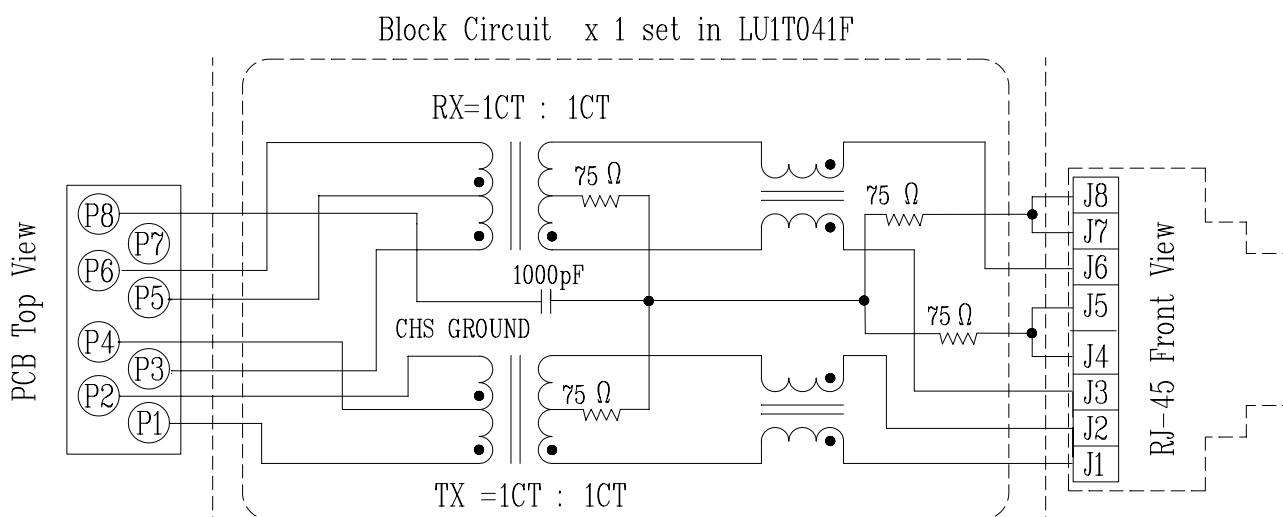
**Electrical Specifications @ 25°C**

Part Number	Turns Ratio (±5%)		Inductance (uH Min) @ 100 KHz/0.1V with 8mA DC Bias	HI-POT (Vrms)
	TX	RX		
LU1T041F	1CT:1CT	1CT:1CT	350	1500

**Continue**

Part Number	Insertion Loss (dB Max)	Return Loss (dB Min)					Cross talk (dB Min)		CMR (dB Min)	
		0.3-100MHz	30MHz	40MHz	50MHz	60MHz	80MHz	0.3-60MHz	60-100MHz	1-60MHz
LU1T041F	-1.15	-16	-14	-13.5	-13	-10	-45	-35	-35	-28

**Schematic**

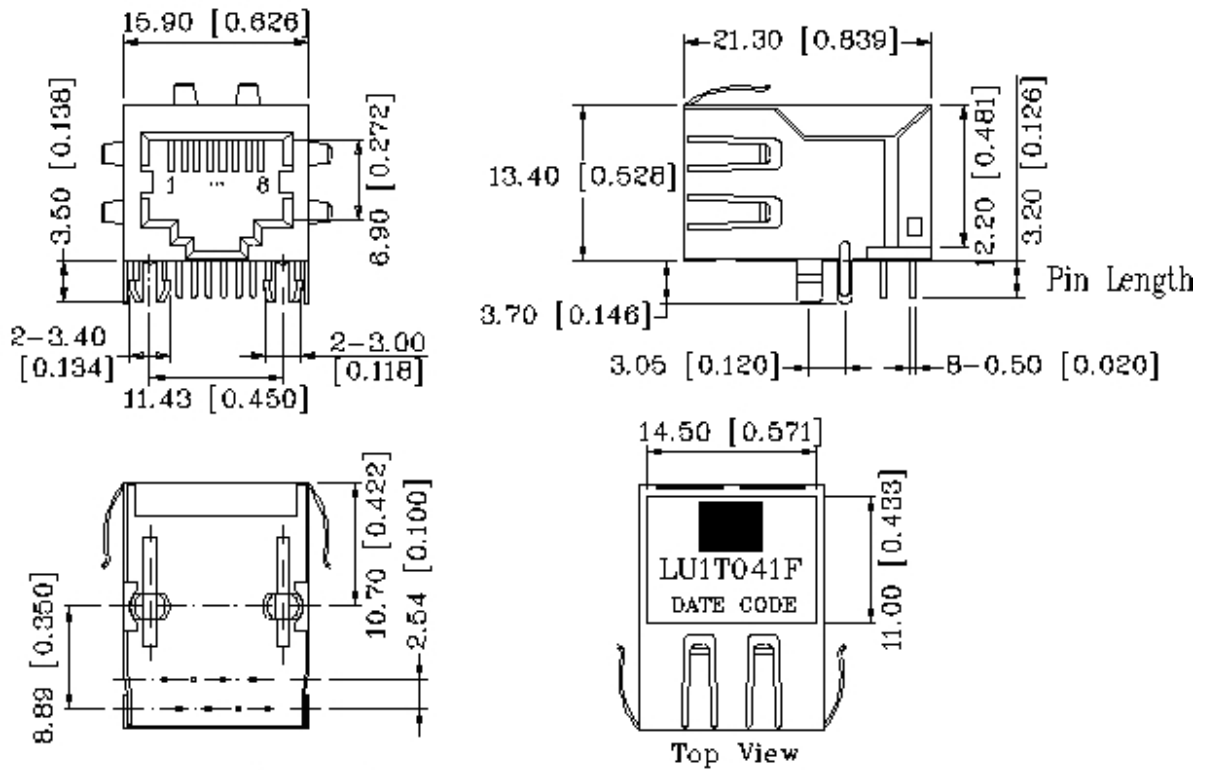


**“LAN-MATE” SERIES**

**SINGLE RJ45 CONNECTOR MODULE WITH INTEGRATED 10/100 BASE-TX MAGNETICS**

P/N: LU1T041F

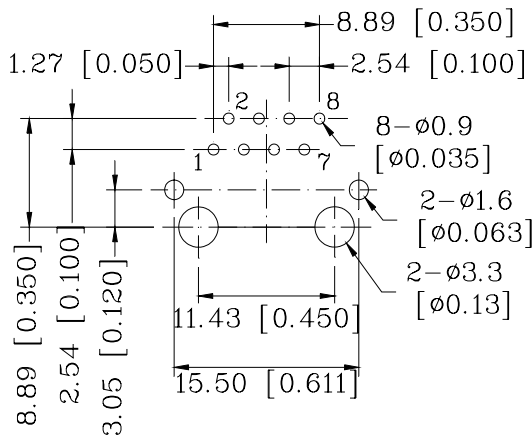
**Mechanical**



Units: mm[Inches] Tolerances: xx.x0±0.25[0.010]  
0.xx±0.05[0.002]

- 1. Plastic Material : PBT 15% Glass Filled(UL 94V-0), Black Housing
- 2. Metal Shield : Brass C2680-H, 20u Nickel Plated, t=0.25mm
- 3. Spring Wire : 0.45mm Dia. Phosphor bronze with 6u gold plated
- 4. Solder Pin : 0.4x0.4mm, Phosphor bronze with solder Plated
- 5. Durability : 300 Mating cycles Min.

**PCB Layout Mounting Hole(Top View)**



Units: mm[Inches]  
Tolerances: xx.x0±0.25[0.010]  
0.xx±0.05[0.002]



**UMEC Europe**

homepage: [www.umeu.de](http://www.umeu.de)

UMEC elektronische Komponenten GmbH  
Kreuzenstraße 80 • D-74076 Heilbronn  
Tel. 07131/76170 • Fax 07131/761720

e-mail: [info@umec.de](mailto:info@umec.de)