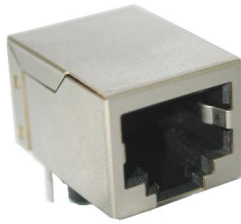


Feature



- Complies with requirement of IEEE 802.3u standards.
- RJ 45 connector with 10/100 BASE-TX magnetic.
- Operating temperature range: 0°C to +70°C.
- Storage temperature range: -25°C to +125°C.

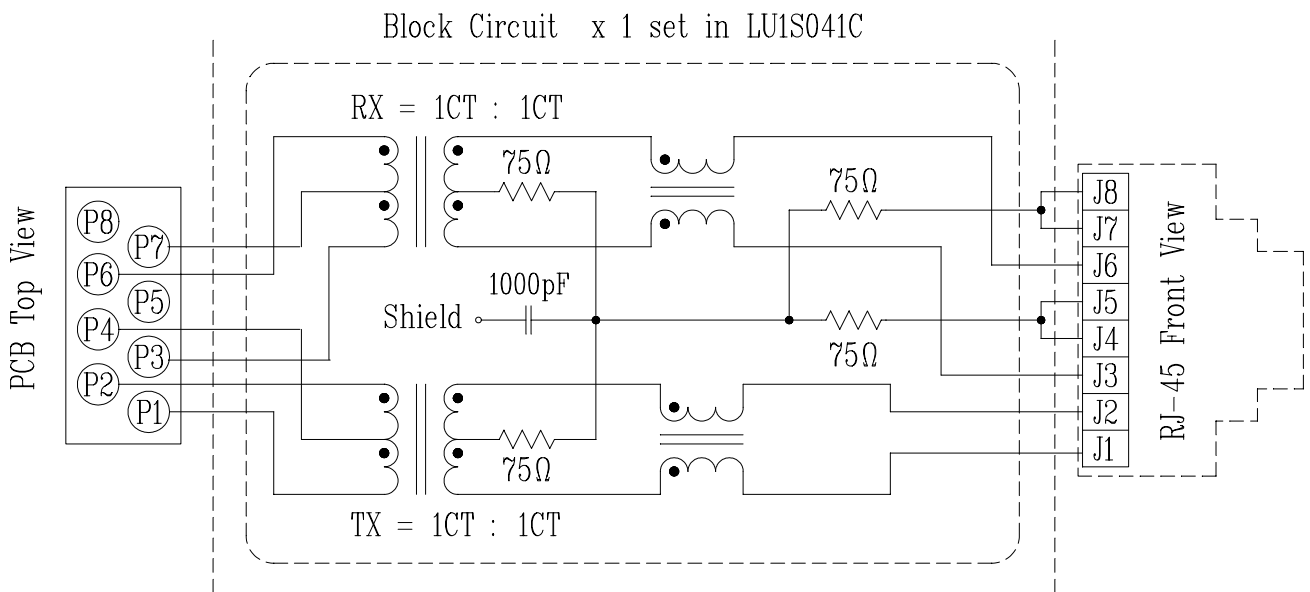
Electrical Specifications @ 25°C

Part Number	Turns Ratio (±5%)		OCL (uH Min) @ 100 KHz/0.1V with 8mA DC Bias	C _{w/w} (pF Max)	L.L. (uH Max)	Insertion Loss (dB Max)TX/RX 0.3-100MHz	HI-POT (Vrms)
	TX	RX					
LU1S041C	1CT:1CT	1CT:1CT	350	28	0.4	-1.15	1500

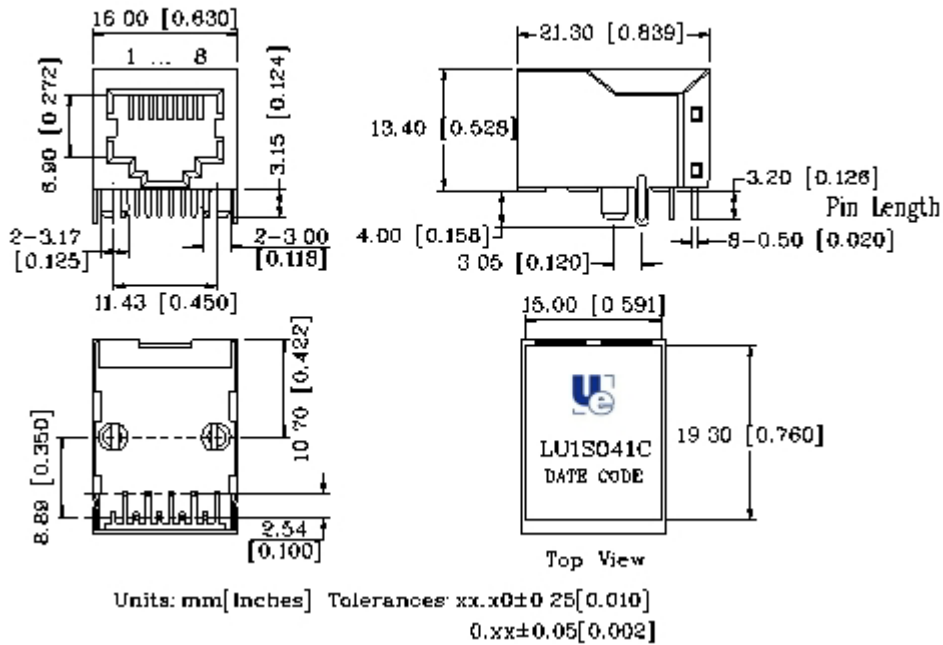
Continue

Part Number	Return Loss (dB Min)TX/RX					Cross talk (dB Min)TX/RX			CMR (dB Min) TX/RX		
	30MHz	40MHz	50MHz	60MHz	80MHz	0.3-30MHz	30-60MHz	60-100MHz	1-30MHz	30-60MHz	60-125MHz
LU1S041C	-16	-14	-13.5	-13	-10	-40	-35	-30	-30	-25	-20

Schematic



Mechanical



- 1. Plastic Material : Nylon 9T (UL 94V-0), Black Housing
- 2. Metal Shield : Brass C2680-H, 20u inches Nickel Plated, t=0.25mm
- 3. Spring Wire : 0.45mm Dia. Phosphor bronze with 6u inches gold plated
- 4. Solder Pin : 0.4x0.4mm, Phosphor bronze with solder Plated
- 5. Durability : 300 Mating cycles Min.

PCB Layout Mounting Hole (Top View)

