

“LAN-MATE” SERIES

SINGLE RJ45 CONNECTOR MODULE WITH INTEGRATED 10/100 BASE-TX MAGNETICS AND LEDS

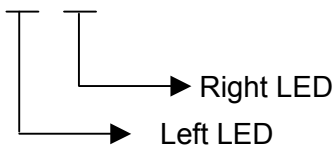
P/N: LU1S041-XX

Page : 1/3

Feature



Example Part Number Format:
X X (Front View)



- Complies with requirement of IEEE802.3u standards.
- RJ 45 connector with 10/100 BASE-TX magnetic.
- Meet UL safety standard.
- Includes integrated 2 LEDS(option).
- LED signal leads are isolated form the Ethernet signal leads to reduce EMI and cross talk.
- Operating temperature range: 0°C to +70°C .
- Storage temperature range: -25°C to +85°C .
- Recommended panel

**Part Number
Standard LED
Forward*V(Max)
(TYP)**

3
YELLOW
2.6V
2.1V

4
GREEN
2.6V
2.2V

*With a forward current 20mA

Electrical Specifications @ 25°C

Part Number	Turns Ratio (±5%)		OCL(uH Min) @ 100 KHz/0.1V with 8mA DC Bias	C _{w/w} (pF Max)	L.L (uH Max)	Rise Time 10-90% (nS Typ)	HI-POT (Vrms)
	TX	RX					
LU1S041-XX	1CT:1CT	1CT:1CT	350	28	0.4	2.5	1500

Continue

Part Number	Insertion Loss (dB Max)	Return Loss (dB Min)					Cross talk (dB Min)		CMR (dB Min)	
		0.3-100MHz	30MHz	40MHz	50MHz	60MHz	80MHz	0.3-60MHz	60-100MHz	1-60MHz
LU1S041-XX	-1.15	-16	-14	-13.5	-13	-10	-45	-35	-35	-28



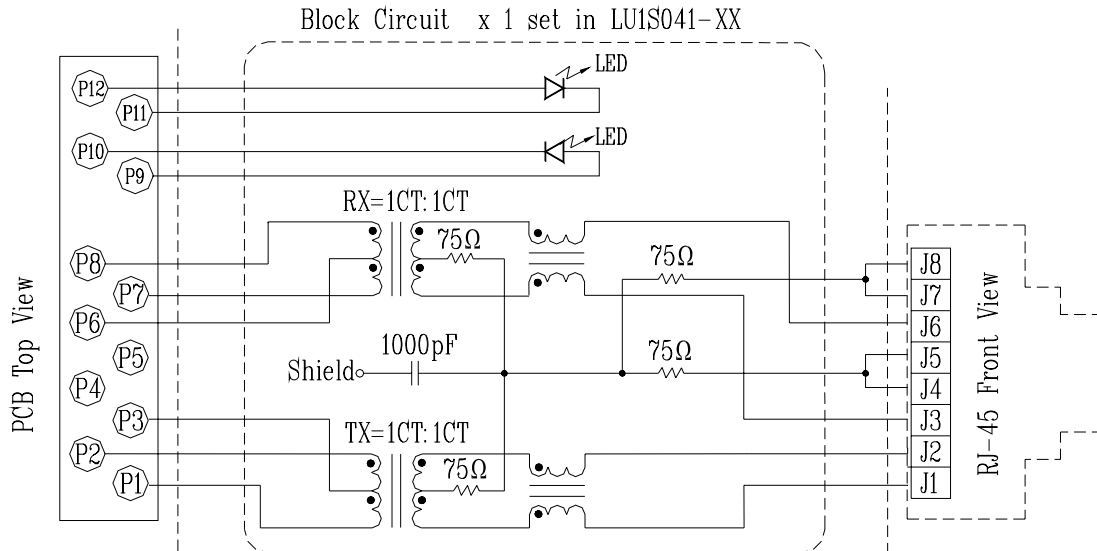
UMEC Europe

homepage: www.umeu.de

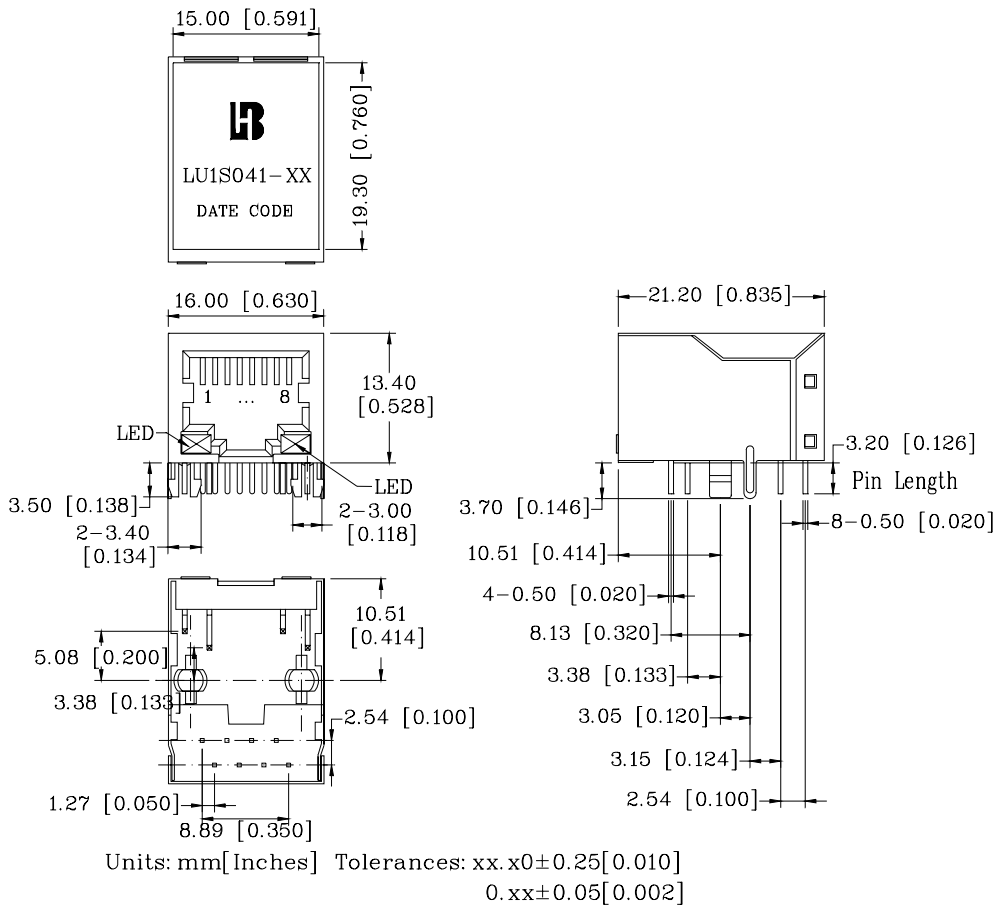
UMEC elektronische Komponenten GmbH
Kreuzenstraße 80 ● D-74076 Heilbronn
Tel. 07131/76170 ● Fax 07131/761720

e-mail: info@umec.de

Schematic



Mechanical



“LAN-MATE” SERIES

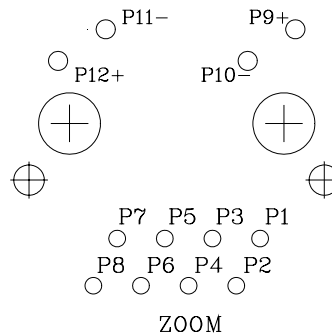
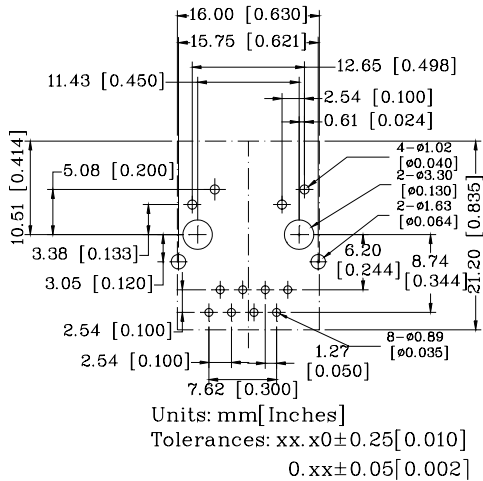
SINGLE RJ45 CONNECTOR MODULE WITH INTEGRATED 10/100 BASE-TX MAGNETICS AND LEDS

P/N: LU1S041-XX

Page : 3/3

1. Plastic Material : PBT 15% Glass Filled(UL 94V-0), Black Housing.
2. Metal Shield : Brass C2680-H, 20u Nickel Plated, t=0.25mm.
3. Spring Wire : 0.45mm Dia. Phosphor bronze with 6u gold plated.
4. Solder Pin : 0.4x0.4mm, Phosphor bronze with solder Plated.
5. Durability : 300 Mating cycles Min.

PCB Layout Mounting Hole(Top View)



UMEC Europe

homepage: www.umeu.de

UMEC elektronische Komponenten GmbH
Kreuzenstraße 80 ● D-74076 Heilbronn
Tel. 07131/76170 ● Fax 07131/761720

e-mail: info@umec.de