

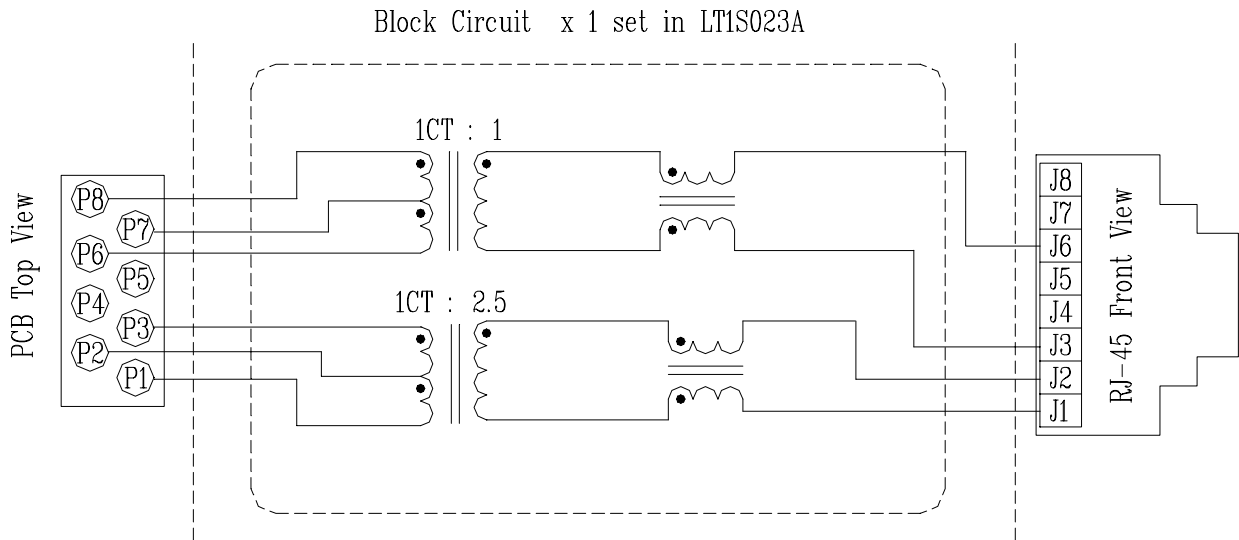
Feature



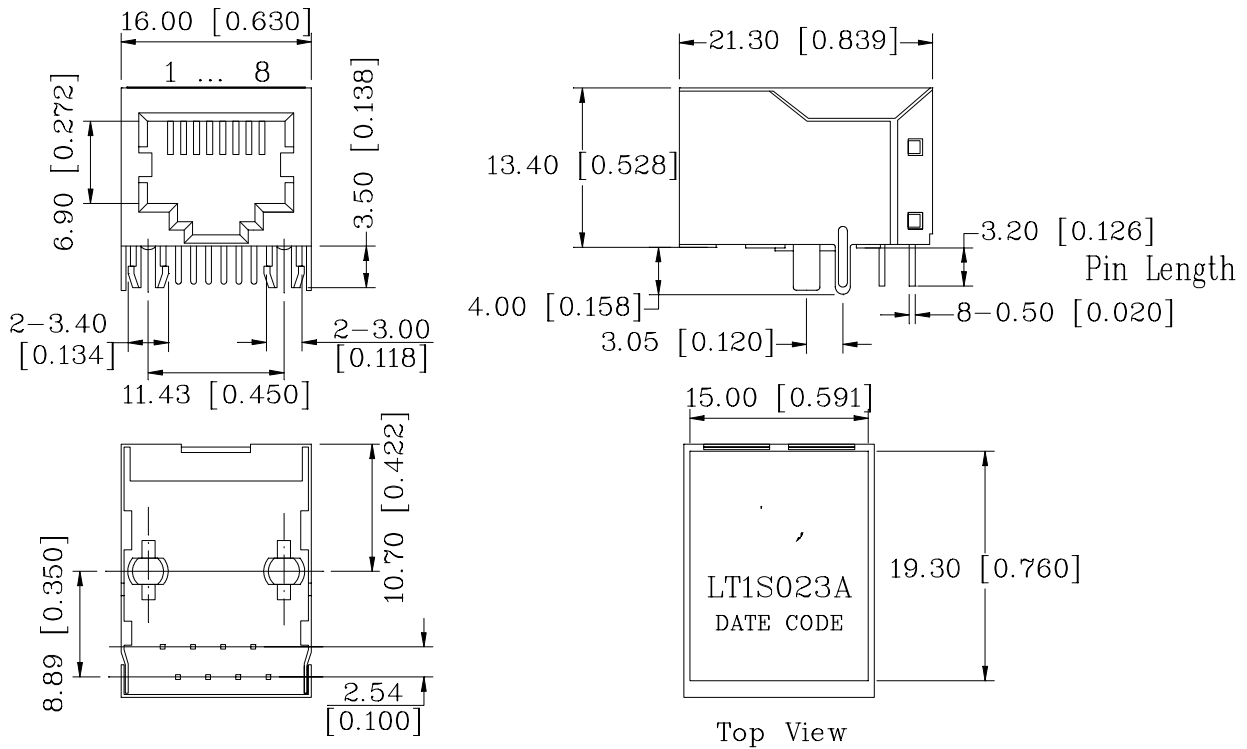
- RJ-45 connector integrated with X'FMR.
- Size same as RJ-45 connector to save PCB Board space.
- Reduce EMI radiation, improve EMI performance.
- Complies with IEEE802.3 standards.
- Operating temperature range: 0°C to +70°C.
- Storage temperature range: -25°C to +125°C.

Electrical Specifications @ 25°C						
Part Number	Turns Ratio (±5%)		OCL (uH Min) @ 100KHz/0.2V	L.L (uH Max)	C _{w/w} (pF Max)	HI-POT (Vrms)
	TX	RX				
UE-LT1S023A	1CT:2.5	1CT:1	200	0.5	20	1500

Schematic



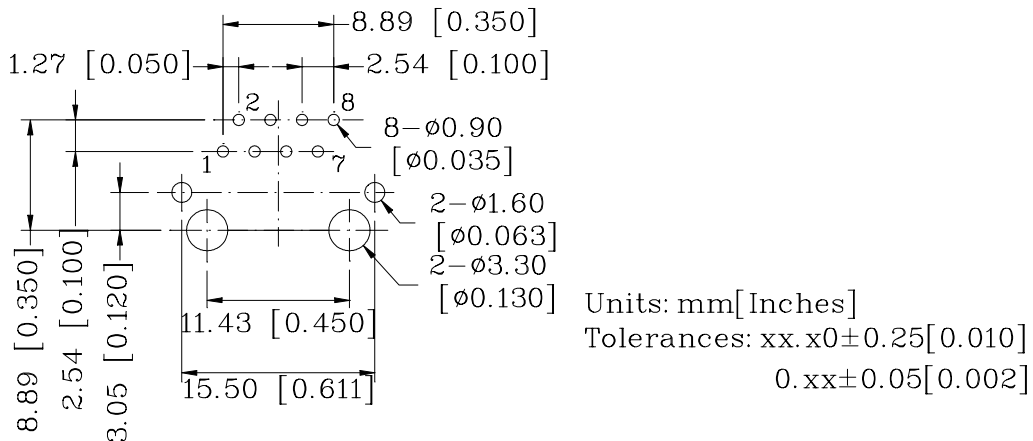
Mechanical



Units: mm[Inches] Tolerances: xx.x0±0.25[0.010]
 0.xx±0.05[0.002]

- 1. Plastic Material : Thermoplastic (UL 94V-0), Black Housing
- 2. Metal Shield : Brass, 20u inches thick Nickel
- 3. Spring Wire : 0.45mm Dia. Phosphor bronze with selective gold plating
- 4. Solder Pin : 0.4x0.4mm, Phosphor bronze with solder Plated
- 5. Durability : 300 Mating cycles Min.

PCB Layout Mounting Hole(Top View)



Units: mm[Inches]
 Tolerances: xx.x0±0.25[0.010]
 0.xx±0.05[0.002]