

“LAN-MATE” SERIES

SINGLE RJ45 CONNECTOR MODULE WITH INTEGRATED 10 BASE- T MAGNETICS & FILTER

P/N : UE-LF1S022

Feature

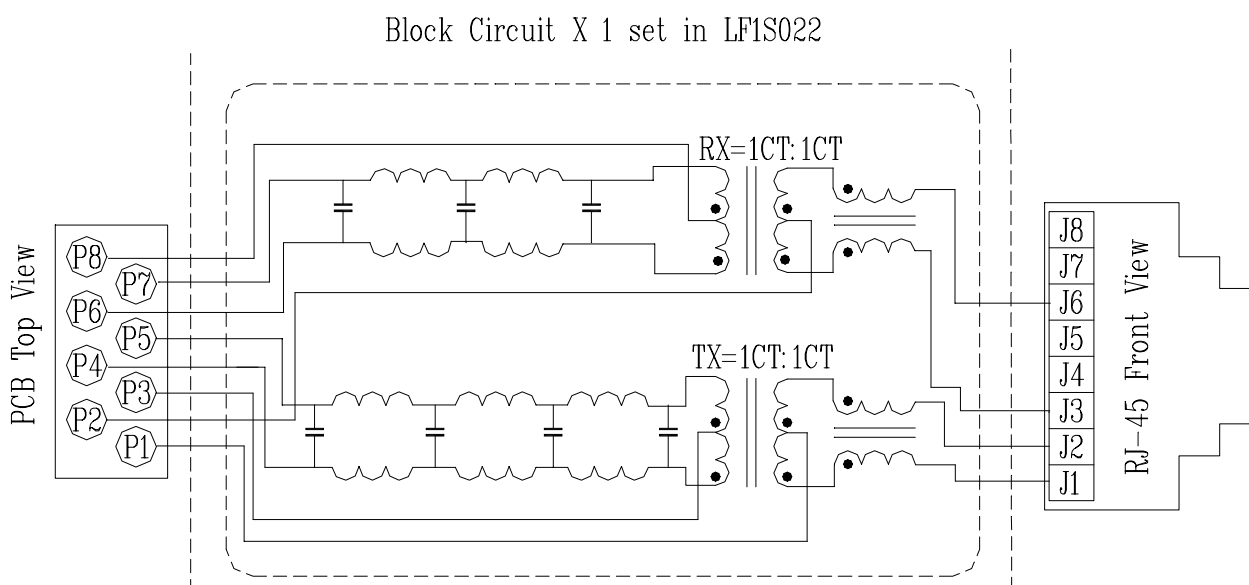


- RJ-45 connector integrated with filter.
- Size same as RJ-45 connector to save PCB Board space.
- Reduce EMI radiation, improve EMI performance.
- Operating temperature range: 0°C to +70°C.
- Storage temperature range: -25°C to +125°C.

Electrical Specifications @ 25°C					
Part Number	Turns Ratio (±5%)		CUT OFF Frequency (TX/RX)	Cross talk Attenuation TX/RX(dB Min)	HI-POT (Vrms)
	TX	RX			
UE-LF1S022	1CT:1CT	1CT:1CT	17 MHz±1 MHz	-30/-30	1200

Continue							
Part Number	Insertion Loss TX/RX(dB Max)	Return Loss TX/RX(dB Min)	Attenuation TX/RX(dB Min)				CMR TX/RX (dB Min)
	1-10MHz	5-10MHz	20MHz	25MHz	30MHz	40MHz	30-100MHz
LF1S022	-1.0	-13.5	-5/-4.2	-18/-11	-28/-16	-33/-26	-30/-30

Schematic

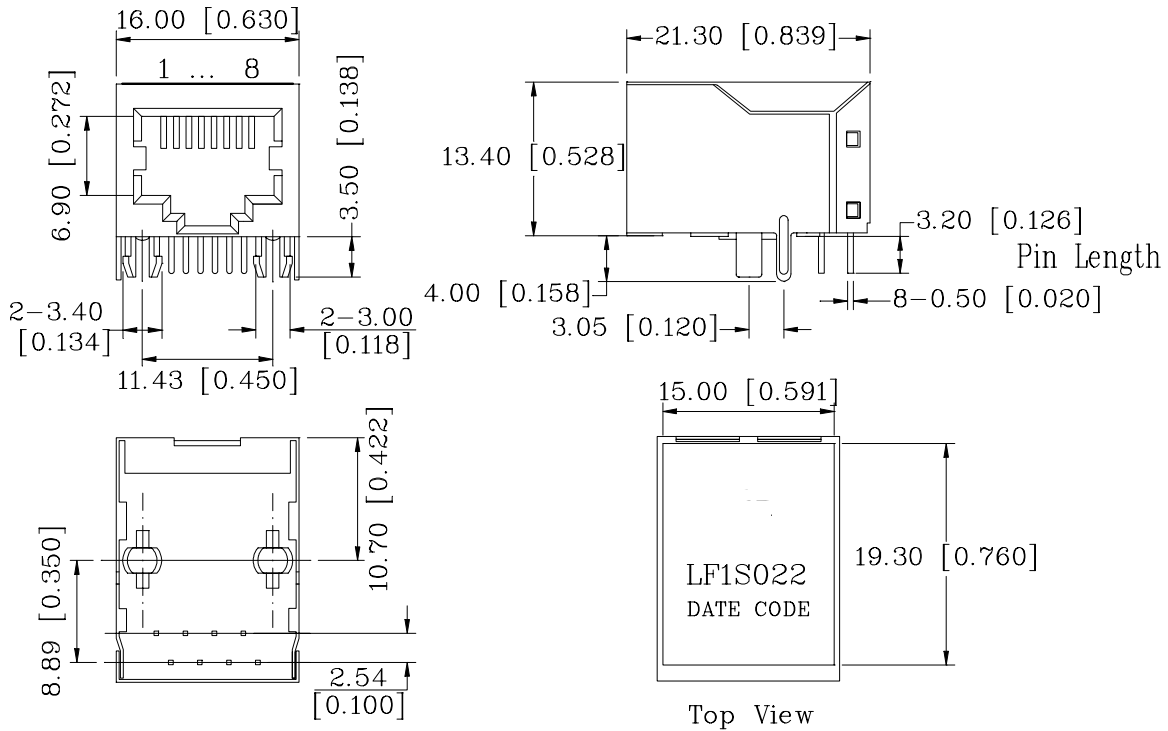


“LAN-MATE” SERIES

SINGLE RJ45 CONNECTOR MODULE WITH INTEGRATED 10 BASE-T MAGNETICS & FILTER

P/N : UE-LF1S022

Mechanical

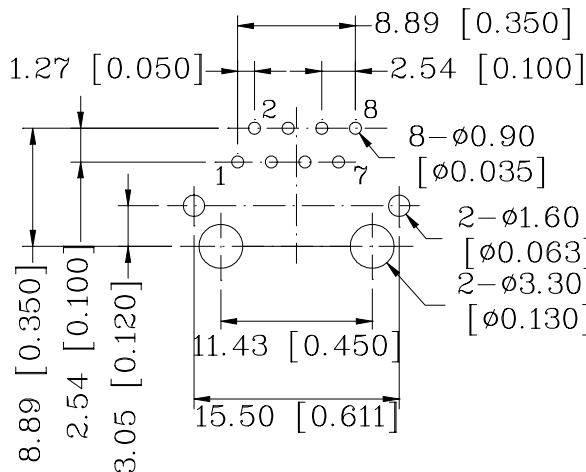


Units: mm[Inches] Tolerances: xx.x0±0.25[0.010]

0.xx±0.05[0.002]

- 1. Plastic Material : Thermoplastic (UL 94V-0), Black Housing
- 2. Metal Shield : Brass, 20u inches thick Nickel
- 3. Spring Wire : 0.45mm Dia. Phosphor bronze with 6u inches gold plated
- 4. Solder Pin : 0.4x0.4mm, Phosphor bronze with solder Plated
- 5. Durability : 300 Mating cycles Min.

PCB Layout Mounting Hole(Top View)



Units: mm[Inches]

Tolerances: xx.x0±0.25[0.010]

0.xx±0.05[0.002]

