



# 10 BASE-T LOW PASS FILTER TRANSMITTER & RECEIVER WITH COMMON CHOKES

## APPLY TO GENERIC IC

### P/N:FB2028M DATA SHEET

#### Feature

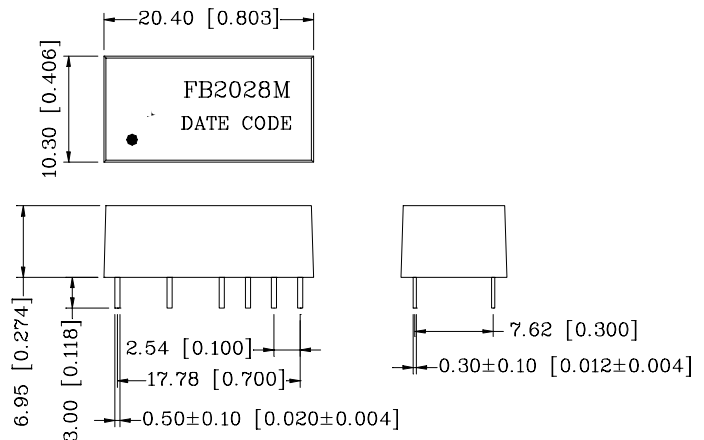
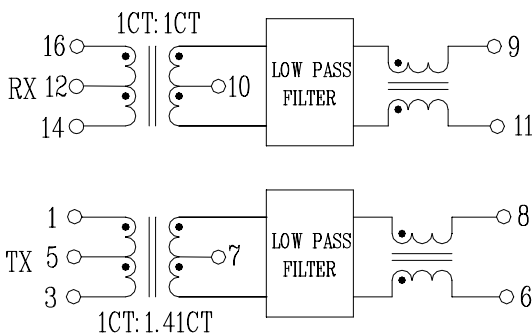
- IEEE 802.3 and IEEE 802.5 compatible.
- Designed to meet AMD AM79C98, AT & T T7220 & NS DP83922 chip sets requirements.
- Integrated filter and isolation transformers in single 16 Pin DAP package.
- Low insertion loss characteristics.
- Cost effective designs.
- Operating temperature range: -40°C to +85°C.
- Storage temperature range: -40°C to +125°C.

Electrical Specifications @ 25°C					
Part Number	Turns Ratio (±5%)		Cross talk Attenuation (dB Min)	CUT-OFF Frequency	HI-POT (Vrms)
	TX	RX	1-10 MHz		
FB2028M	1CT:1.41CT	1CT:1CT	-30	17MHz±1.5MHz	1500

Continue								
Part Number	Insertion Loss (dB Max)		Return loss (dB Min)	Attenuation (dB Min) TX/RX				CMR (dB Min)
	1-10MHz	5-10MHz	5-10MHz	20MHz	25MHz	30MHz	40MHz	30-100MHz
FB2028M	-1.0/RX	-1.2/TX	-15	-7/-6	-19/-14	-30/-20	-32/-31	-24

#### Schematic

#### Mechanical



Units: mm[Inches] Tolerances: xx.x0±0.25[0.010]  
0.xx±0.05[0.002]

